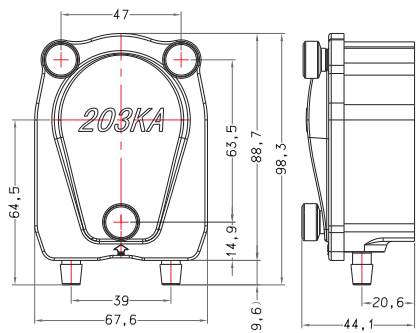
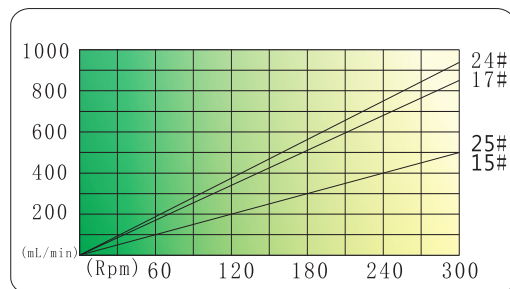




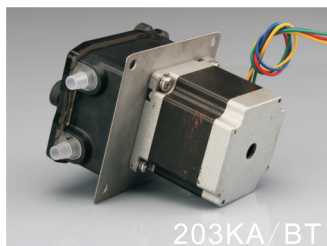
## 1. Dimension



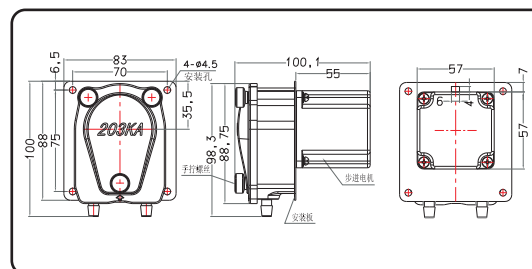
## 2. Flow rate



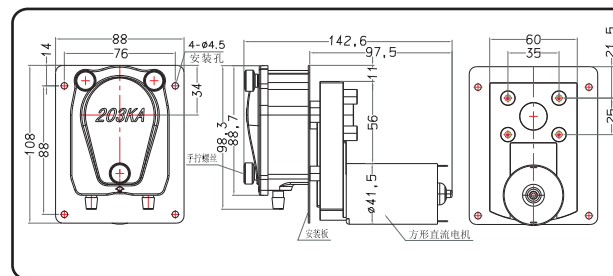
Model #	Tube	Tube clip	Housing	Roller	Max flow	Power	Weight
203KA/ZL	25#	fixed	PC(cover) PA(body)	POM+MoS2	930mL/min	16W	808g
203KA/ZLX	17#						552g
203KA/BT	15#	fixed	PC(cover) PA(body)	POM+MoS2	930mL/min	50W	837g
	24#						837g



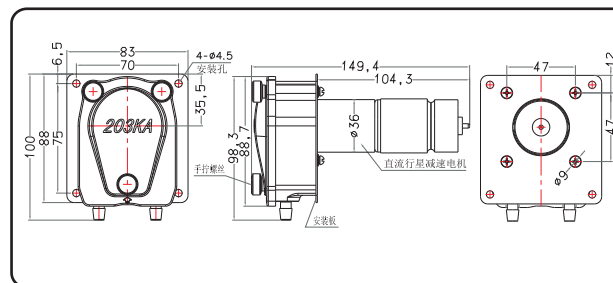
## 3. Install and use



203KA/BT: drive by stepper motor, adjust flow rate with drive board.



203KA/ZL: drive by brush DC gear motor, supply 12V or 24V DC, reverse by change plus-n-minus, adjust speed with external control board.



203KA/ZLX: drive by brush DC planetary gear motor, supply 12V or 24V DC, reverse by change plus-n-minus, adjust speed with external control board.

## 4. Assemble tube

Tips: apply some grease on tube external wall to prolong life. Please use origin tube and many kinds of imported tube for option.

