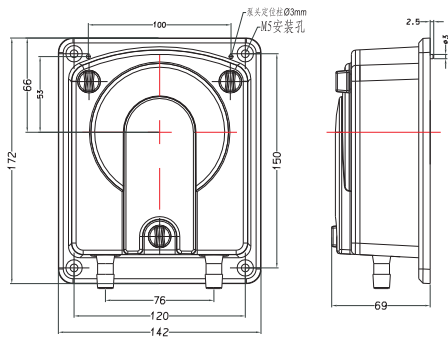
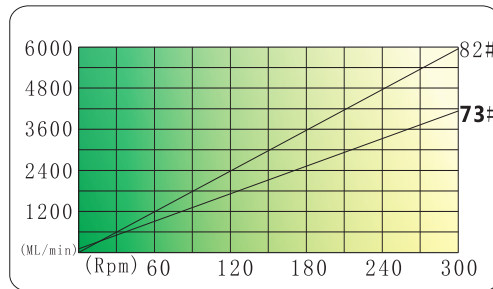




1. Dimension



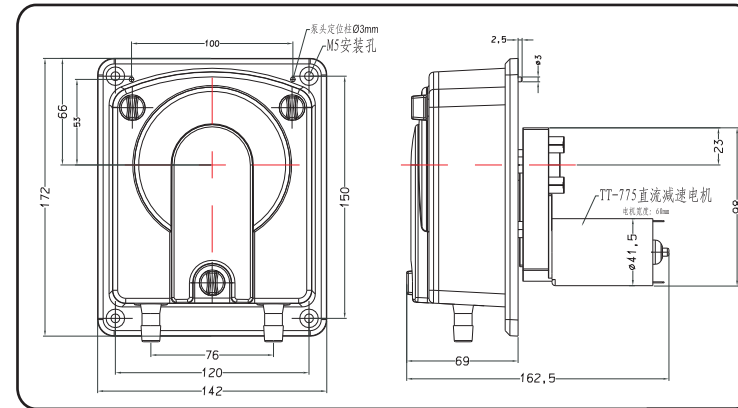
2. Flow rate



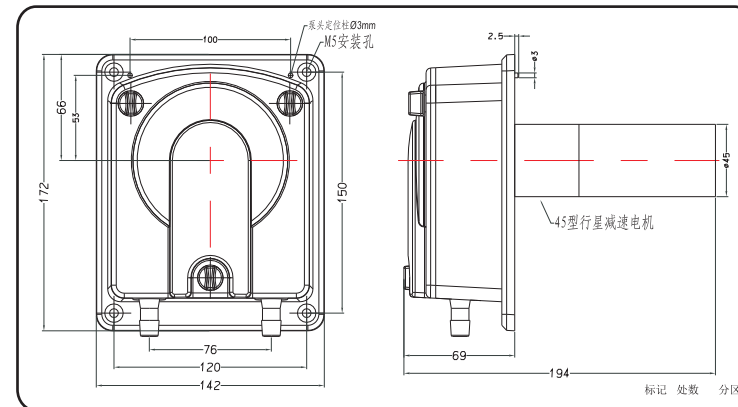
| Model # | Tube | Tube clip | Housing | Roller | Max flow | Power | Weight |
|----------|------|-----------|-----------|--------|----------|-------|--------|
| 353K/ZL | 73# | Fix | PC(cover) | POM | 5.9L/min | 16W | 1440 g |
| 353K/ZLX | 82# | | PA(body) | | | | 1930 g |



3. Install and use



353K/ZL : drive by brush DC gear motor, DC power supply of 12V or 24V, reverse by changing plus-n-minus, optional external connected speed-governing panel. It suits interval operation. Conti-nuous working will lead over high temperature, radiator fan should be additionally instal-led.



353K/ZLX : drive by brush DC gear motor, DC power supply of 12V or 24V, reverse by changing plus-n-minus, optional external connected speed-governing panel. It suits interval operation. Conti-nuous working will lead over high temperature, radiator fan should be additionally installed.

4. Assemble tube

Tips: apply some grease on tube external wall to prolong life. Please use origin tube and many kinds of imported tube for option.

