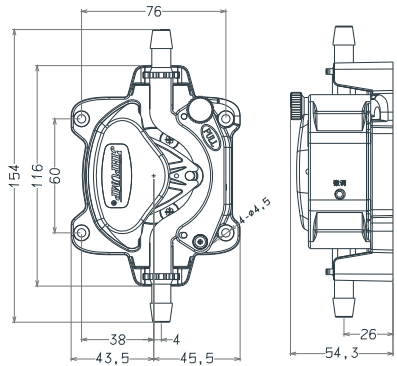


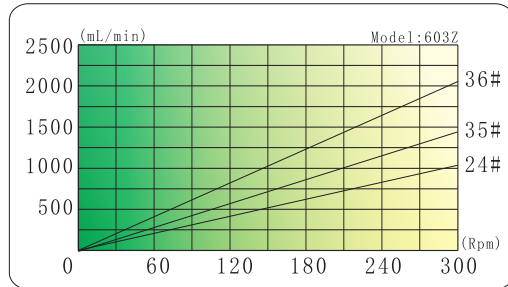
603Z Operation Manual



1. Dimension



2. Flow



Model #	Tube	Tube clip	Housing	Roller	Max flow	Power	Weight
603Z/WTT	24#	Fixed	PA66	POM	1920mL/min	24W	656g
603Z/ZLX	35#				2040mL/min	32W	640g
603Z/ZL	36#				2170mL/min	32W	688g
603Z/BT					1935mL/min	32W	922g



3. Install and use

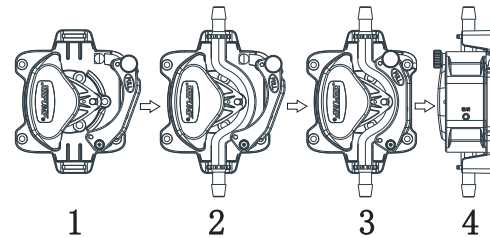
603Z/WTT: 36 type DC brushless planetary motor driver, 24VDC power supply.

603Z/ZLX: brush DC planetary gear motor driver, 12V or 24VDC power supply. To reverse by change plus-n-minus, adjust speed with external control board.

603Z/ZL: brush DC gear motor driver, 12V or 24VDC power supply. To reverse by change plus-n-minus, adjust speed with external control board.

603Z/BT: stepper motor driver, to adjust flow accurately by controller.

4. Assemble tube



1. Raise the screw and turn the block clockwise.
 2. Put the built-in tube around the roller, and press down the fittings at the two ends in the slots (zip ties up, the tube no distortion).
 3. Raise the screws and turn the block counter-clockwise to let the location pin into position.
 4. When the pump stops working, if the liquid drops, please adjust the small screw on the block.
- Note: If you find the tube cracks, please clean the inside pump head. Regularly apply grease to extend tube and pump head life.
Tube length inside pump head: 118mm

